



NOTES:

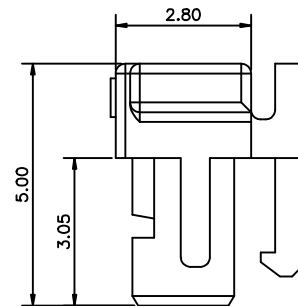
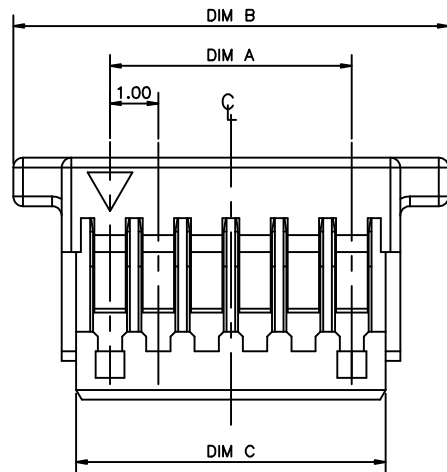
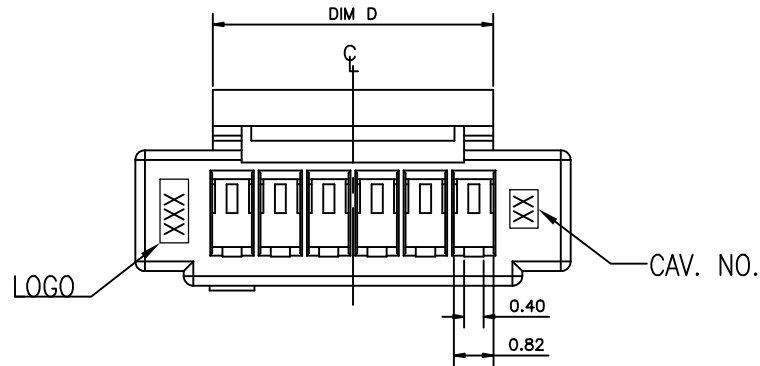
1. MATERIAL: HALOGEN FREE PLASTIC, HIGH TENP.
UL 94V-0
2. SPEC PLEASE SEE PS-50228-XXXXX-XXX
3. PART NUMBER

51287-XXX H X X X-XXX

XXX	HALOGEN FREE	LOGO
001	HF	A

NO OF CKTS
POLARIZATION
0: NONE
MATERIAL
H: NYLON

COLOR
1: BLACK
0: WHITE OR NATURAL



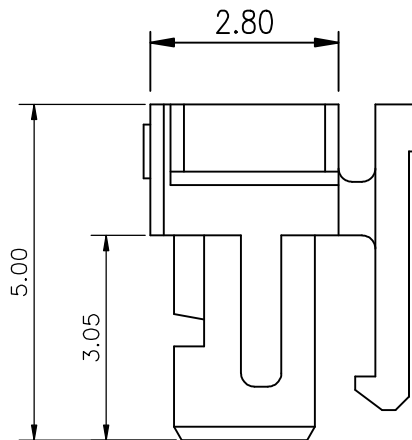
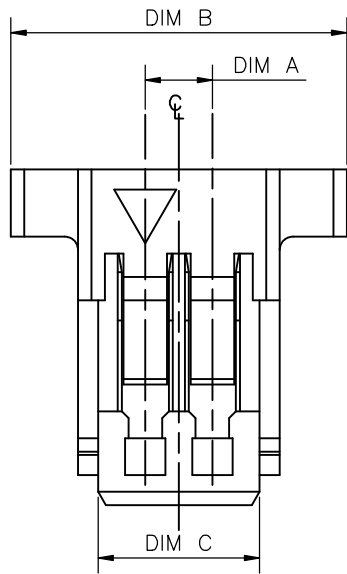
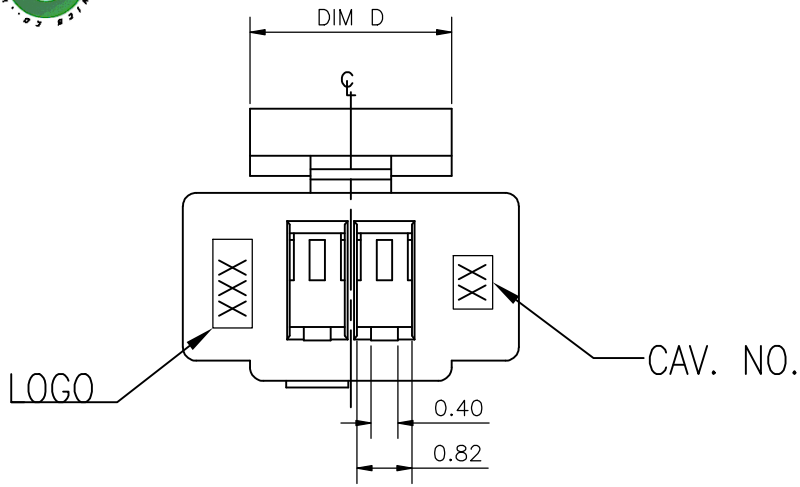
CKT	DIM A	DIM B	DIM C	DIM D
3	2.0	6.0	3.4	2.80
4	3.0	7.0	4.4	3.80
5	4.0	8.0	5.4	4.80
6	5.0	9.0	6.4	5.80
8	7.0	11.0	8.4	
10	9.0	13.0	10.4	
13	12.0	16.0	13.4	
14	13.0	17.0	14.4	
16	15.0	19.0	16.4	
18	17.0	21.0	18.4	

QUALITY SYMBOLS MAJOR Ⓢ CRITICAL Ⓢ	DRAWN BY GAOLI	DATE 23'/09/26	ACES ELECTRONICS
GENERAL TOLERANCES (UNLESS SPECIFIED)	CHECKED BY XUZHUYONG	DATE 23'/09/26	
X. ±0.5 .X ±0.25 .XX ±0.15 .XXX ±0.1 ANGLES ±2°	APPROVED BY XUZHUYONG	DATE 23'/09/26	TITLE 1.0mm WT B CONN. HOUSING
	UNITS mm	SIZE A4	RFQ NO. N/A
	SCALE 1 : 1	SHEET NO. 1 OF 2	REV J
			DWG NO. 51287-XXXHXXX-XXX



- NOTES:
 1. MATERIAL: HALOGEN FREE PLASTIC, HIGH TENP.
 UL 94V-0
 2. SPEC PLEASE SEE PS-50228-XXXXX-XXX
 3. PART NUMBER

51287-XXX H X X X-XXX	XXX	HALOGEN FREE	LOGO
NO OF CKTS	001	HF	A
POLARIZATION	COLOR		
0: NONE	1: BLACK		
MATERIAL	0: WHITE OR NATURAL		
H: NYLON			



CKT	DIM A	DIM B	DIM C	DIM D
2	1.0	5.0	2.4	3.00

QUALITY SYMBOLS	DRAWN BY	DATE	ACES ELECTRONICS			
MAJOR Ⓢ	GAOLI	23'/09/26				
CRITICAL Ⓢ	CHECKED BY	DATE	TITLE			
GENERAL TOLERANCES (UNLESS SPECIFIED)	XUZHUYONG	23'/09/26			1.0mm WTB CONN. HOUSING	
X. ±0.5	APPROVED BY	DATE	UNITS	SIZE		
.X ±0.25	XUZHUYONG	23'/09/26	mm	A4	N/A	
.XX ±0.15	SCALE	SHEET NO.	1 : 1	2 OF 2	REV	DWG NO.
.XXX ±0.1	ANGLES				J	51287-XXXHXXX-XXX
±2°						